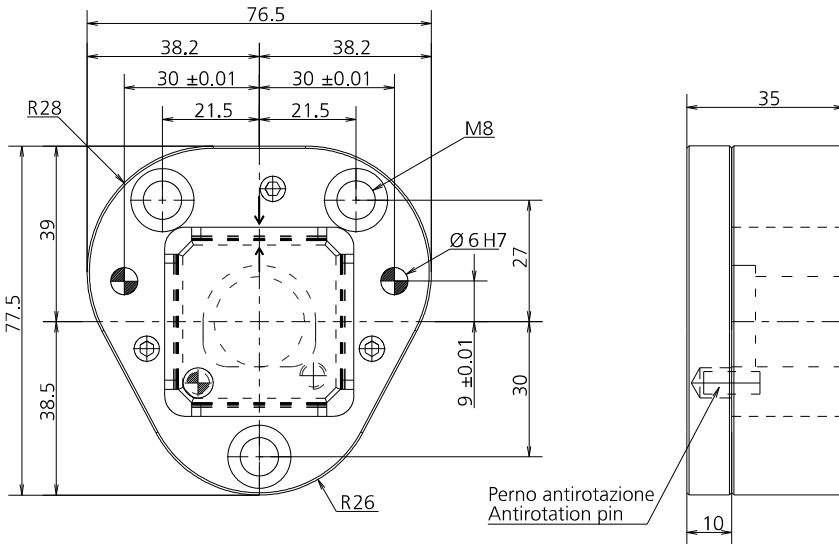


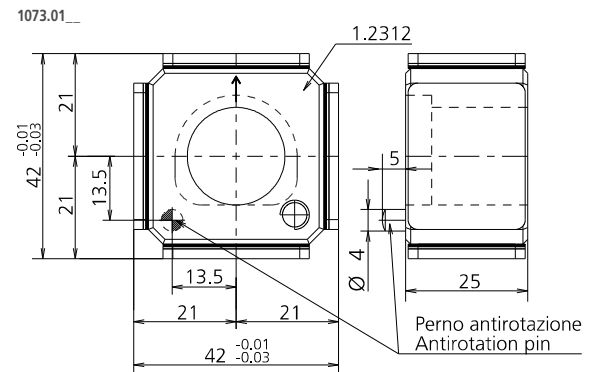
# 1013.0100 - PORTAPUNZONE REGOLABILE

ADJUSTABLE PUNCH HOLDER / VERSTELLBARE STEMPELHALTEPLATTEN / PORTE-POINÇON RÉGLABLE

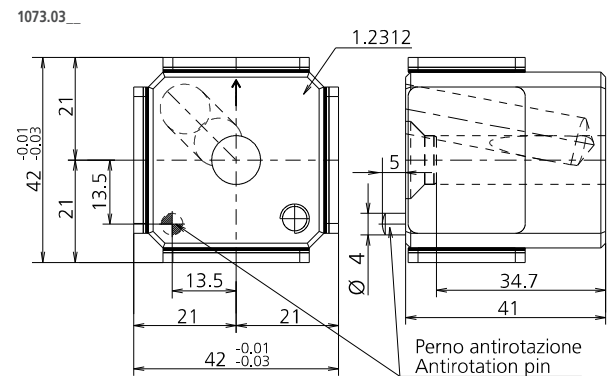


CODE	DESCRIPTION
1013.0100	ADJUSTABLE PUNCH HOLDER

CODE	PUNCH	Q.TY
1073.0120	ISO8020 Ø20	1*CHOOSE
1073.0125	ISO8020 Ø25	1*CHOOSE



CODE	PUNCH	Q.TY
1073.0310	BALLOCK HEAVY DUTY Ø10	1*CHOOSE
1073.0313	BALLOCK HEAVY DUTY Ø13	1*CHOOSE



MODELLO D'ORDINE / ORDER EXAMPLE / BESTELLBEISPIEL / MODÈLE DE COMMANDE

MODEL **1013.0100** OPTION CODE **1073.0310**